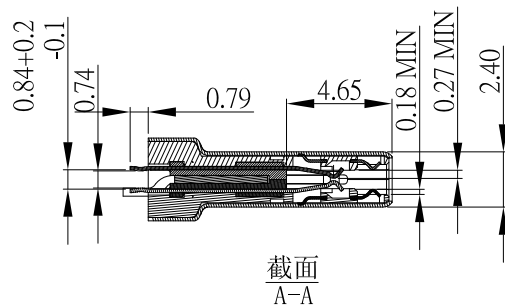
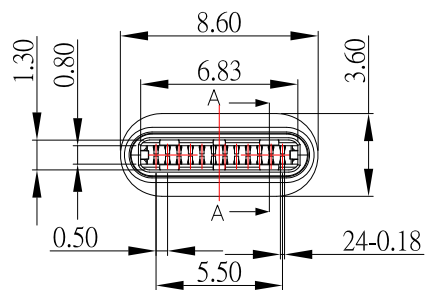
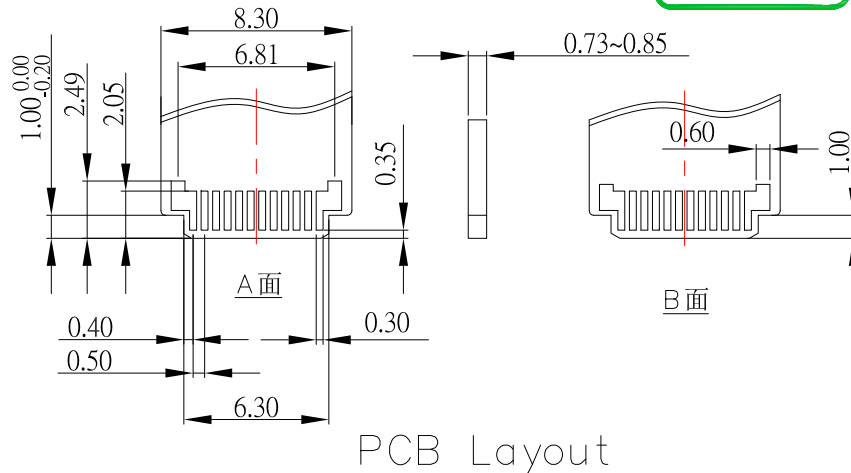


Pin Assignments

Pin No	Signal Name	Signal Name	Pin No
A1	GND	GND	B12
A2	TX1+	RX1+	B11
A3	TX1-	RX1-	B10
A4	Vbus	Vbus	B9
A5	CC	SBU2	B8
A6	D+		B7
A7	D-		B6
A8	SBU1	Vconn	B5
A9	Vbus	Vbus	B4
A10	RX2-	TX2-	B3
A11	RX2+	TX2+	B2
A12	GND	GND	B1



SPECIFICATIONS

Electrical:

1. Rating: 20V ; 5.0A
2. Contact Resistance: 40 mΩ Max
3. Insulation Resistance: 100 MΩ Min
4. Dielectric Withstanding Voltage: 100V AC

Mechanical:

1. Connector Mate and Unmate Force
 - 1.1 Mate force: 5~20 N
 - 1.2 Unmate force: 8~20 N

Material:

1. Housing: LCP
2. Contact: C7025
3. Shell: SUS

Finish:

1. Contact: Plated Gold in Mating Area ;
Tin Plated on Solder Balls ;
Nickel under plated overall
2. Shell: Nickel under Plated surface layer

CONTACT 建倚科技股份有限公司
CONTACT TECHNOLOGY CORP.

TOLERANCE UNLESS OTHERWISE STATED:
Up to 5 ±0.2
Above 5 ~ 15 ±0.3
Above 15 ~ 30 ±0.4
Above 30 ~ 50 ±0.5
Angle ±0.3

3RD. ANGEL'S

UNITS MM

DRAWN BY:	DATE	MAT'L	TITLE	CONNECTOR
Jack Lu	12/13/23		MODLE	USB4 TYPE C公頭不帶板 L10.6
CHECKED BY:	DATE	FINISH	DWG NO.	SBC-241PL32A-43-S165
Jacky Chen	12/13/23	SCALE 1 : 1	PART NO.	SBC-241PL32A-43-S165
APPROVED BY:	DATE	SHEET NO.	1 of 1	
Tony Kao	12/13/23			

ITEM NO	DESCRIPTION	DRAWN	DATE
1	更新MODLE	Jack	121323